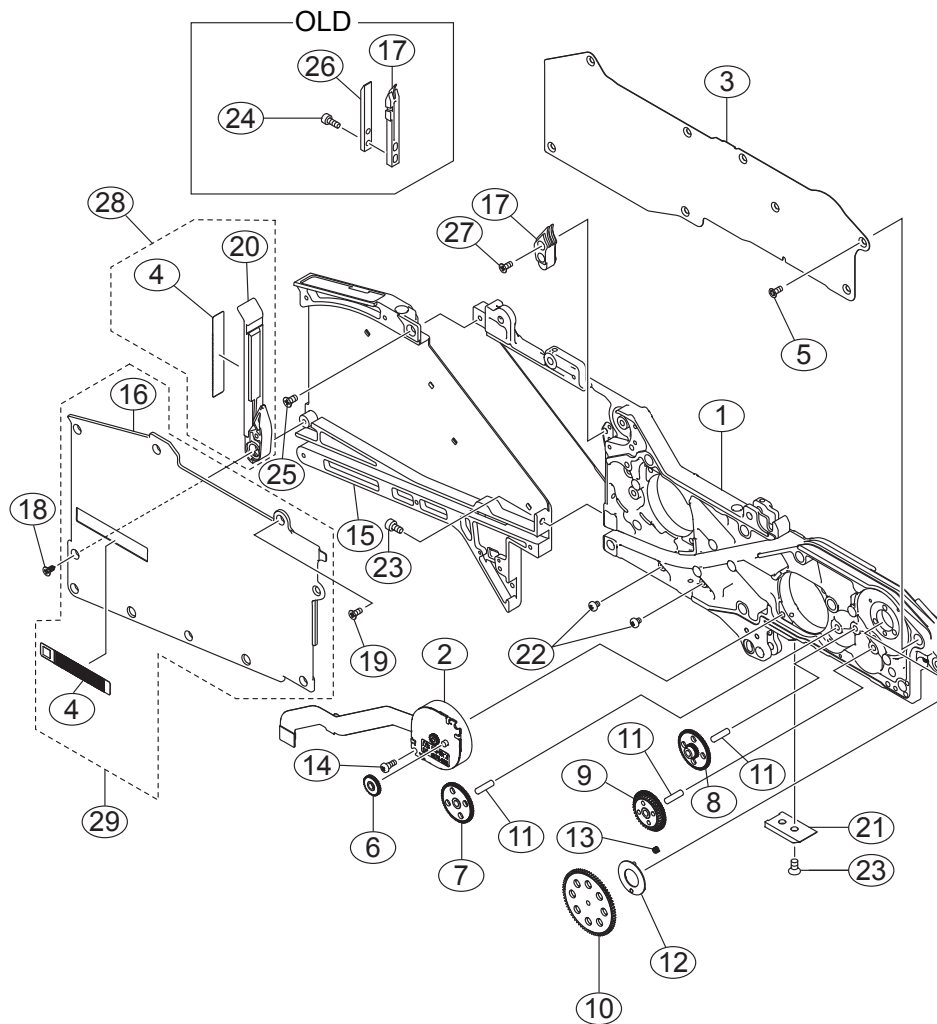
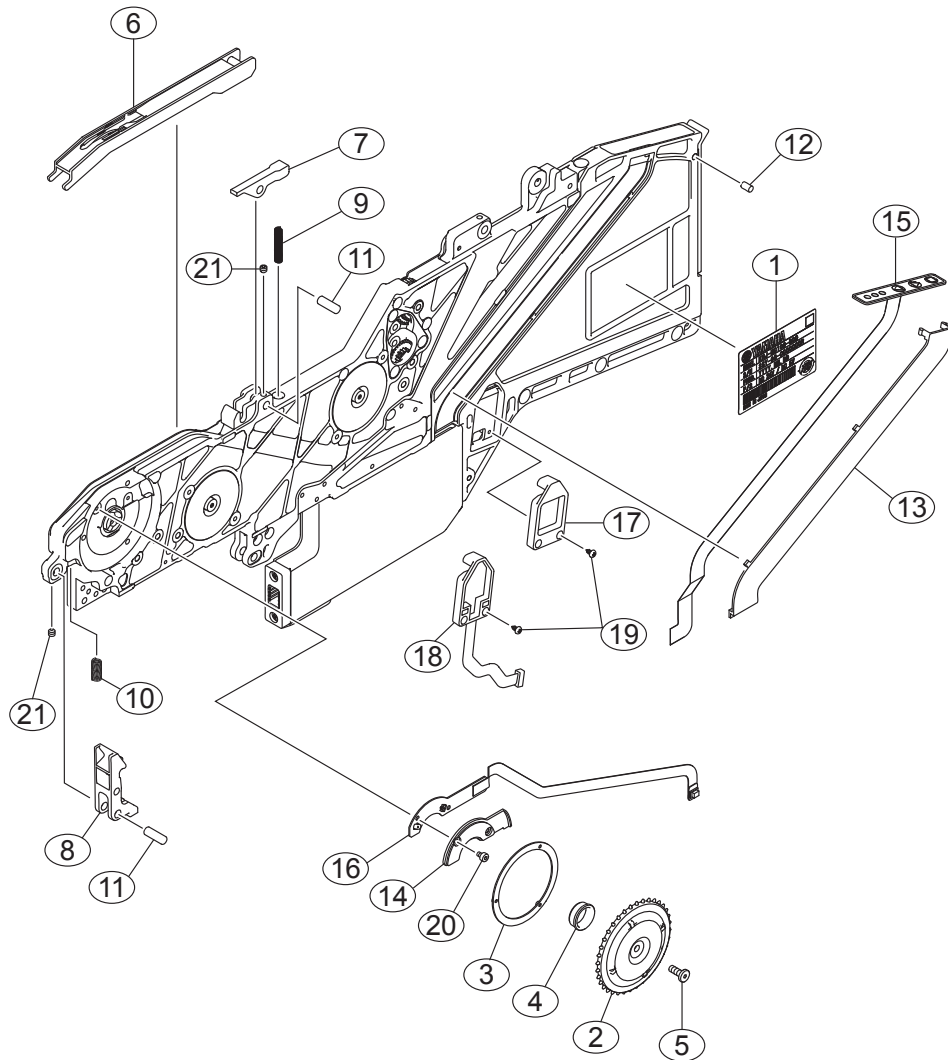


KHJ-0909



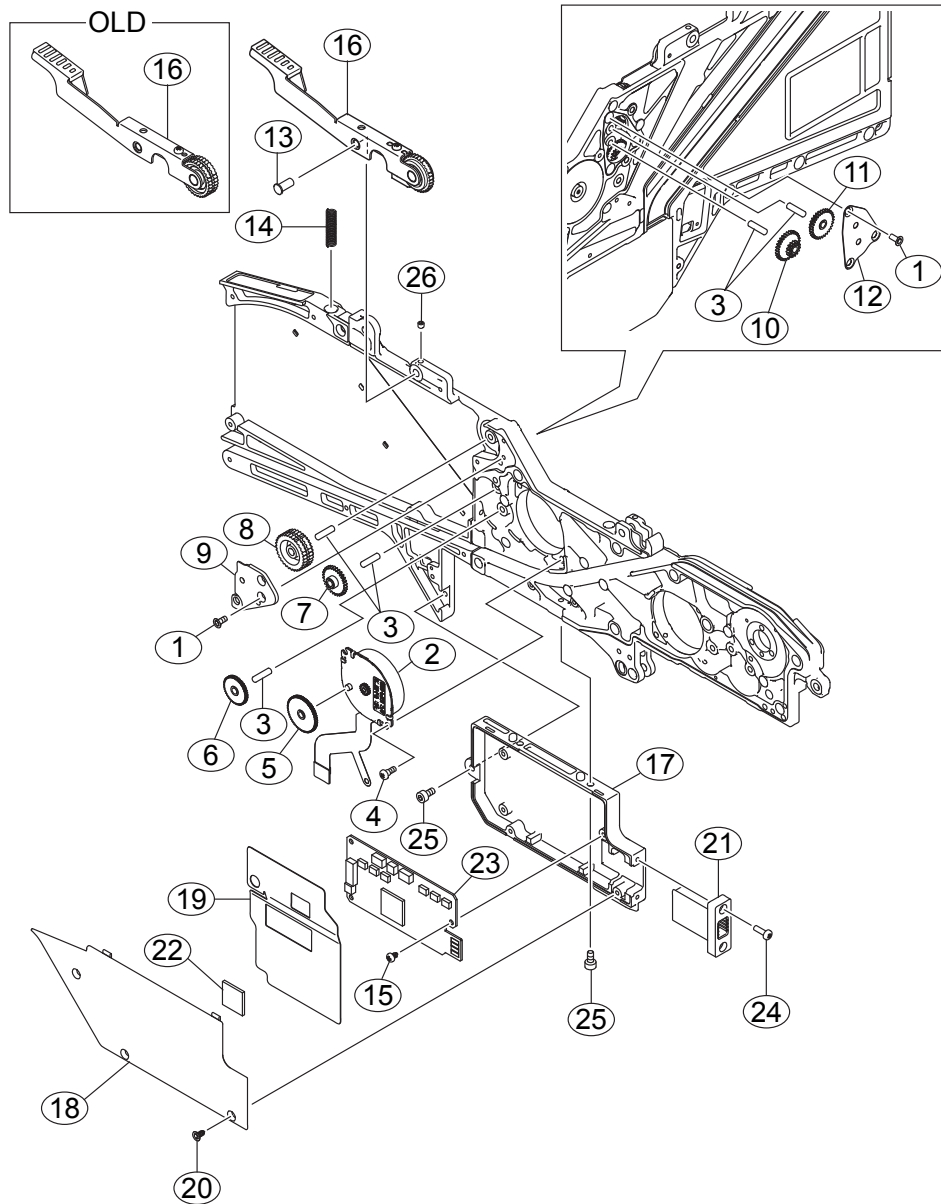
No.	Part No.	Part Name	Q'ty	Remarks	Change	Compati.
1	KHJ-MC101-01	BODY,FEEDER	1			
1-1	KHJ-MC101-02	BODY,FEEDER	1		(2008/4/25)	NG
1-2	KHJ-MC101-03	BODY,FEEDER	1		(2008/6/25)	NG
2	KHJ-MC110-00	MOTOR,FEED	1			
3	KHJ-MC102-00	COVER,FEEDER SIDE 1	1			
4	KHJ-MC10C-00	SEAL,MAIN LABEL	1			
5	KHJ-MC10E-00	SCREW,FLAT HEXLOBE	8			
6	KHJ-MC134-00	GEAR,IDLE F1	1			
7	KHJ-MC135-00	GEAR,IDLE F2	1			
8	KHJ-MC136-01	GEAR,IDLE F3	1			
9	KHJ-MC137-00	GEAR,IDLE F4	1			
10	KHJ-MC138-00	GEAR,DRIVEN	1			
11	KHJ-MC139-00	SHAFT,IDLE GEAR 1	3			
12	KHJ-MC13C-00	PLATE,PUSHER GEAR	1			
13	KHJ-MC13D-00	SPRING,PUSHER PLATE	3			
14	KHJ-MC13F-00	SCREW,STAD	2			
15	KHJ-MC161-01	BOX,TOP TAPE	1			
15-1	KHJ-MC161-02	BOX,TOP TAPE	1		(2008/5/14)	NG
16	KHJ-MC162-01	COVER,TOP TAPE BOX	1			
16-1	KHJ-MC162-02	COVER,TOP TAPE BOX	1		(2008/5/14)	NG
16-2	KHJ-MC162-03	COVER,TOP TAPE BOX	1		(2008/7/18)	NG
17	KHJ-MC166-00	BLOCK,P/O TOOTH 1	1			
17-1	KHJ-MC166-01	BLOCK,P/O TOOTH 1	1		(2008/4/25)	NG
17-2	KHJ-MC166-02	BLOCK,P/O TOOTH 1	1		(2008/11/14)	NG
18	KHJ-MC16F-00	SCREW,FLAT HEAD TAP.	6			
19	KHJ-MC16J-00	SCREW,FLAT HEAD	2			
20	KHJ-MC16U-00	TAIL COVER ASSY.	1			
21	KHJ-MC106-00	PLATE,UNDER	1			
22	90166-02JA03	SCREW,PAN HEAD	2			
23	91317-03006	BOLT HEX.SOCKET HEAD	3			
24	91317-03008	BOLT HEX.SOCKET HEAD	2			
24-1	91312-03010	BOLT HEX.SOCKET HEAD	2		(2008/4/11)	OK
24-2				Delete	(2008/4/25)	
25	98707-03006	SCREW,FLAT HEAD	3			
26	KHJ-MC16W-00	PLATE,P/O TOOTH 1	1		(2008/4/11)	
26-1				Delete	(2008/5/7)	
27	90112-2AJ006	BOLT HEX.SOCKET HEAD	2		(2008/4/25)	
28	KHJ-MC16U-S0	PARTS, TAIL COVER	1			
29	KHJ-MC162-S0	PARTS, BOX COVER	1			

KHJ-0805



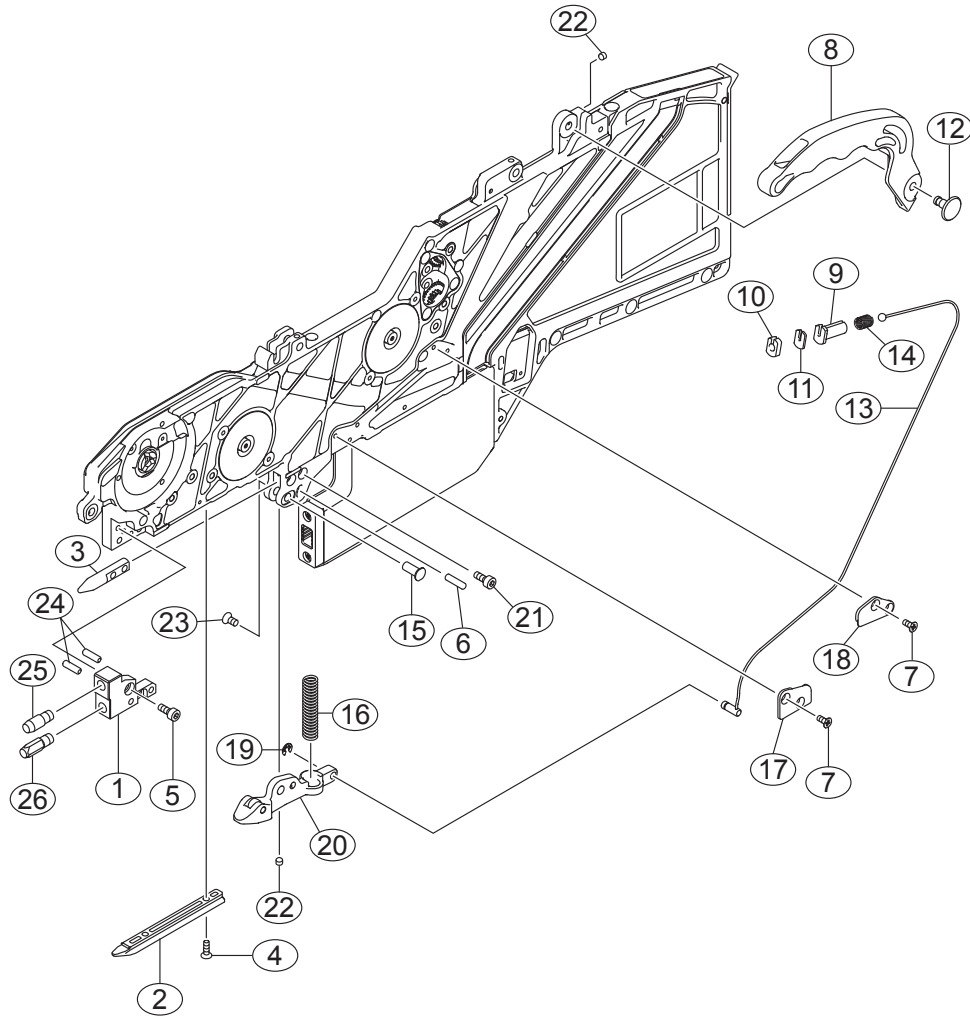
No.	Part No.	Part Name	Q'ty	Remarks
1	KHJ-MC10C-00	SEAL,MAIN LABEL	1	
2	KHJ-MC131-00	SPROCKET ASSY.	1	
3	KHJ-MC13A-00	SHIM,SPROCKET	1	
4	KHJ-MC13B-00	BUSH,SPROCKET	1	
5	KHJ-MC13E-00	BOLT,EXTRA LOW HEAD	1	
6	KHJ-MC141-02	TAPE GUIDE ASSY.	1	
7	KHJ-MC144-00	LEVER,TAPE GUIDE R	1	
8	KHJ-MC145-00	LEVER,TAPE GUIDE F	1	
9	KHJ-MC146-02	SPRING,TAPE GUIDE R	1	
10	KHJ-MC147-02	SPRING,TAPE GUIDE F	1	
11	KHJ-MC15A-00	SHAFT 112	2	
12	KHJ-MC165-00	MAGNET,TAIL	1	
13	KHJ-MC167-00	COVER,MENBRANE	1	
14	KHJ-MC1A4-00	COVER,ABS	1	
15	KHJ-MC1AA-00	SWITCH,OPERATION	1	
16	KHJ-M4664-00	ABS BOARD ASSY.	1	
17	KHJ-MC1A5-00	DUMMY SPLICE SENS.	1	
18	KHJ-MC1A5-10	SPLICE SENS.8MM	1	OPTION
19	KHJ-MC1AB-00	SCREW,PAN HEAD TAP.	2	
20	90115-02J003	BOLT HEX.SOCKET HEAD	2	
21	92A08-03303	SET SCREW M3X3	2	

KHJ-0805



No.	Part No.	Part Name	Q'ty	Remarks	Change	Com-
1	KHJ-MC10E-00	SCREW,FLAT HEXLOBE	5			
2	KHJ-MC110-10	MOTOR,PEEL	1			
3	KHJ-MC139-00	SHAFT,IDLE GEAR 1	6			
4	KHJ-MC13F-00	SCREW,STAD	2			
5	KHJ-MC151-00	GEAR,IDLE P1	1			
6	KHJ-MC152-00	GEAR,IDLE P2	1			
7	KHJ-MC153-00	GEAR,IDLE P3	1			
8	KHJ-MC156-00	ROLLER,P/O 1	1			
8-1	KHJ-MC156-01	ROLLER,P/O 1	1		(2008/4/25)	NG
8-2	KHJ-MC156-02	ROLLER,P/O 1	1		(2008/11/14)	NG
9	KHJ-MC159-00	COVER,IDLE GEAR 2	1			
10	KHJ-MC154-00	GEAR,IDLE P4	1			
11	KHJ-MC155-00	GEAR,IDLE P5	1			
12	KHJ-MC158-00	COVER,IDLE GEAR 1	1			
13	KHJ-MC16B-00	SHAFT,P/O LEVER 2	1			
14	KHJ-MC16E-00	SPRING,P/O LEVER	1			
15	KHJ-MC16H-00	SCREW,PAN HEAD TAP.	3			
16	KHJ-MC16V-00	P/O LEVER ASSY.	1			
16-1	KHJ-MC16V-01	P/O LEVER ASSY.	1		(2008/4/25)	NG
16-2	KHJ-MC16V-02	P/O LEVER ASSY.	1		(2008/11/14)	NG
17	KHJ-MC1A1-00	BOX,EL	1			
18	KHJ-MC1A2-00	COVER,BOX EL	1			
19	KHJ-MC1A3-00	COVER,CABLE	1			
19-1	KHJ-MC1A3-01	COVER,CABLE	1		(2008/4/25)	NG
20	KHJ-MC1A6-00	SCREW,FLAT HEXLOBE T	3			
21	KHJ-MC1A9-00	CONNECTOR,BOARD	1			
22	KHJ-MC1AC-00	INSULATION SHEET	1			
23	KHJ-M4488-00	FEEDER BOARD ASSY.	1			
24	90166-02JA08	SCREW PAN H.:M2.5X8	2			
25	91317-03006	BOLT HEX.SOCKET HEAD	3			
26	92A08-03303	SET SCREW M3X3	1			

KHJ-0805



No.	Part No.	Part Name	Q'ty	Remarks	Change	Compati.
1	KHJ-MC103-02	BLOCK,FRONT	1			
2	KHJ-MC104-00	RAIL,UNDER	1			
3	KHJ-MC105-00	PIN,TAIL	1			
4	KHJ-MC10F-00	SCREW,FLAT HEAD	2			
5	KHJ-MC10M-00	BOLT,HEX. S/H	2			
6	KHJ-MC139-00	SHAFT,IDLE GEAR 1	1			
7	KHJ-MC16J-00	SCREW,FLAT HEAD	6			
8	KHJ-MC181-00	HANDLE	1			
9	KHJ-MC182-00	TENSION,WIRE 1	1			
10	KHJ-MC183-00	SPACER,TENSION 1	1			
11	KHJ-MC184-00	SPACER,TENSION 2	3			
12	KHJ-MC185-00	PIN,HANDLE	1			
13	KHJ-MC186-00	WIRE,UNCLAMP	1			
14	KHJ-MC187-00	SPRING,TENSION	1			
15	KHJ-MC189-00	PIN,CLAMP	1			
15-1	KHJ-MC189-01	PIN,CLAMP	1	(2008/6/25)		NG
16	KHJ-MC18A-00	SPRING,CLAMP	1			
17	KHJ-MC18B-00	COVER,WIRE 1	1			
18	KHJ-MC18C-00	COVER,WIRE 2	1			
19	KHJ-MC18F-00	CIRCLIP (E)	1			
20	KHJ-MC18H-00	CLAMP LEVER ASSY.	1			
21	91312-03008	BOLT HEX.SOCKET HEAD	2			
22	92A08-03305	SCREW,SET	2			
23	98702-03006	SCREW FLAT HEAD	1			
24	99480-03010	PIN,PARALLEL	2			
23	98702-03006	SCREW FLAT HEAD	1			
24	99480-03010	PIN,PARALLEL	2			
25	KHJ-MC10S-00	PIN,LOCATE 1	1			
26	KHJ-MC10T-00	PIN,LOCATE 2	1			